

VOLUME I · EDITION MMXXVI

PT Metalindo Tosan Surya.

*Engineered cable management & architectural lighting,
manufactured in Indonesia since 1984.*



HEAD OFFICE

Jakarta
Indonesia

MANUFACTURING

Tangerang
Banten

ENQUIRIES

marketing@metosu.com
+62 816 689 689

INTRODUCTION

Forty years of cable management, engineered in Indonesia.

PT Metalindo Tosan Surya was founded in Jakarta in 1984 as a specialist Indonesian manufacturer of cable management systems. Over four decades, our cable trays, ladders and trunking have become the backbone of the Indonesian built environment — carrying high-density power and fibre across the State Palace, the country’s major ministry headquarters, ten data centre facilities for DCI Indonesia, and the landmark hotels, hospitals, malls, universities and commercial towers of Jakarta, Bandung, Surabaya, Bali and beyond.

This catalogue presents the full range across our three product lines — cable ladder, cable tray and cable trunking — in both H50 and H100 series, with every standard fitting, accessory and dimensional variant. Every product is engineered, fabricated, quality-checked and dispatched from our single owned facility in Tangerang, under one integrated quality system.

“A manufacturer, not a trader. Every product that leaves our Tangerang facility has been engineered, fabricated, quality checked and dispatched by the same team — with no reseller layer between us and the project.”

— PT METALINDO TOSAN SURYA · HOUSE PRINCIPLE

01 / BY THE NUMBERS

Cable management, measured.

Forty years of engineering practice, distilled into the figures that matter.

1,000+

PROJECTS COMPLETED

Four decades of cable-management deployments delivered across Indonesia and Southeast Asia — from data centres and refineries to airports, hospitals and government installations.

700+

STANDARD SKUS

Active catalogue across the H50 and H100 series, with bespoke widths, heights and lengths produced routinely against project drawings.

1,340

KG · PER-SPAN LOAD RATING

Cable ladder independently load-tested by Sucofindo to NEMA VE 1 Class 8C — the same load class specified by North American hyperscalers.

80

MICRON · HOT-DIP GALV THICKNESS

Standard hot-dipped galvanised coating thickness across the range — double the typical 40-micron commercial spec, for long-horizon corrosion resistance.

02 / THE RANGE

Three product lines. One quality system.

Each product line solves a different routing problem. All three share the same steel, the same finishes, the same tolerances.

PRODUCT LINE	WHEN TO SPECIFY	TYPICAL APPLICATION
Cable Ladder	Heavy power and fibre runs needing maximum airflow, easy cable inspection and high load capacity over long spans.	Data halls, substations, industrial plants, heavy commercial.
Cable Tray	Medium-density distribution where some debris/dust protection is wanted but full enclosure is not required.	Office fit-outs, commercial towers, hospitals, hotels.
Cable Trunking	Fully enclosed routing for low-voltage, control, data or segregated power cabling, including clean-room and life-safety wiring.	Clean rooms, labs, life-safety risers, segregated power.

Across all three lines, every SKU is available in hot-dip galvanised, pre-galvanised, or powder-coated finish — with custom architectural colours available for data centre, hospitality, and high-spec commercial work.

03 / MATERIALS & FINISHES

Engineered for the long horizon.

Every Metosu product begins as 1.8 mm hot-rolled mild steel sheet, formed and welded at the Tangerang facility under a single integrated quality envelope. Three surface finishes are available across the range, specified by environment.

FINISH	SPECIFICATION	BEST FOR
Hot-dip galvanised	80 micron zinc coating applied post-fabrication. Superior corrosion resistance with characteristic crystalline spangle finish.	Outdoor, marine, high-humidity, data centres, industrial.
Pre-galvanised	Sheet pre-coated before fabrication. Smoother surface, faster lead time, suitable for indoor commercial.	Office fit-outs, commercial interiors, dry environments.
Powder-coated	Jotun dry powder coat (polyester) over pre-galvanised base, oven-cured at the Tangerang facility. Full RAL range. Our specialty.	Architectural integration, hospitality, brand colour matching.

POWDER COATING · OUR SPECIALTY

Indonesia's leader in dry-powder-coated cable trays.



Dry powder coating with Jotun paint — the Norwegian global benchmark. Powder coating outperforms electroplated or liquid finishes on durability, thick-build resilience, and aesthetic range. Oven-cured at our Tangerang facility, inspected against a 100% visual envelope, available in the full RAL Classic range plus custom colour matching — including hyperscaler brand whites, anthracite, jet black, ultramarine, and bespoke architectural finishes against project samples.

04 / CERTIFICATIONS

Independently tested. Standards compliant.

Every load rating in this catalogue is backed by a third-party test report.

STANDARD**DETAIL****NEMA VE 1-2017 / CSA C22.2**

Cable trays and ladders independently load-tested by Sucofindo (IDSurvey). Cable ladder rated to 1,340 kg per span, Class 8C (Report E26929/FNBPAS, 18 July 2025). Cable tray rated to 420 kg per span (Report E26933/FNBPAS, 18 July 2025). These are the same load classes specified by North American hyperscalers.

SNI

All cable management products produced to Indonesian National Standard. Compliant with national procurement requirements.

RoHS / REACH

Powder coating finishes and zinc coating processes comply with EU restricted-substances directives for export markets.

Independent test reports are available on request for any project tender. The full Sucofindo certification dossier — load tables, raw test results, and methodology — is supplied to consultant engineers as part of standard project documentation.

05 / APPLICATIONS

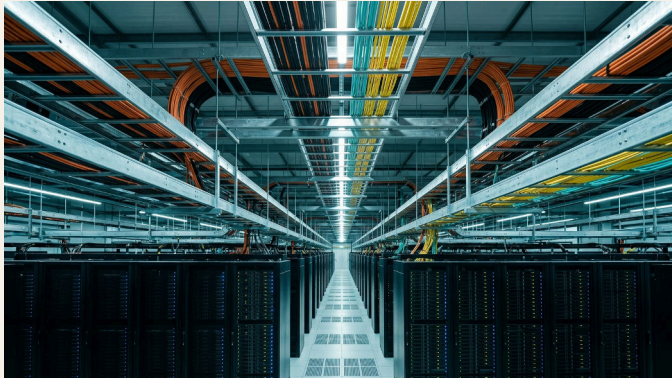
Twelve sectors. One archipelago.

#	SECTOR	TYPICAL SCOPE
01	Data Centres	Cable ladders for main power runs, perforated trays for fibre distribution, trunking for clean-room and BMS cabling.
02	Government & Infrastructure	Heavy-duty galvanised cable management for ministries, embassies, presidential and judicial buildings, bridges.
03	Hospitals	Powder-coated trays in clinical zones, trunking for medical-gas and alarm wiring, clean-room luminaire integration.
04	Offices & Banks	Pre-galvanised trays for floor-distribution, ceiling-void cable management, riser systems for high-rise commercial.
05	Hotels & Hospitality	Architectural powder-coated systems in brand colours, decorative fixtures, BOH service cable management.
06	Malls & Retail	Galvanised trays for tenant power and lighting distribution, trunking for FF&E-integrated wiring.
07	Apartments & Residential	Riser systems, common-area lighting trays, MATV / data trunking.
08	Schools & Universities	Lecture-theatre AV trays, lab-bench trunking, campus distribution.
09	Industrial & Manufacturing	Heavy-duty H100 ladders for plant power, trays for control wiring, trunking for instrument distribution.
10	Logistics & Warehousing	High-bay lighting feeds, conveyor power runs, dock-leveler control.
11	Transportation	Tunnel and station cable management, bridge luminaire feeds, operational-technology cabling.
12	Mission-critical & Telecom	Tier III/IV data halls, telco exchange rooms, broadcasting facilities.

06 / INDUSTRY APPLICATIONS

Six sectors. One trusted partner.

Where Metosu cable management is shaping Indonesia's next decade.

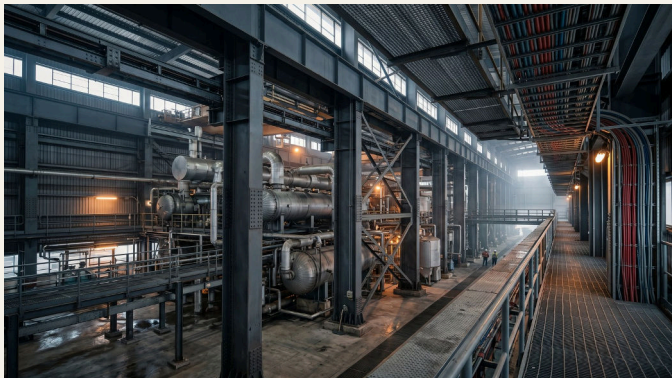


DATA CENTRES

Built for the data hall.

Indonesia is the fastest-growing data centre market in Southeast Asia. Hyperscale and colocation operators are rolling out Tier III and IV campuses to serve a digitising population of 280 million. Metosu has supplied this build-out from the start — heavy-duty cable ladders engineered to the highest international load ratings, carrying high-density power and fibre across white-space corridors, cross-floor risers, and mission-critical service zones. Lead times measured in days, finishes matched to operator brand standards.

1,340 kg/span · sized for hyperscale power density



MINING

Engineered for the punishment.

Indonesia's mineral boom runs through cable management. Across nickel processing, copper smelting, and gold extraction, Metosu ladders and trays carry the high-power feeds, motor drives, and instrumentation that keep remote sites running. Sized for the punishment of tropical mining — heavy hot-dip galvanising, the highest international load ratings, and corrosion resistance built to last decades.

80µ HDG · sized for tropical mine corrosion



EV & BATTERY MANUFACTURING

Cleanroom precision, brand-finished.

The future of mobility is being built in Indonesia. Battery cell production, electrode lines, and EV assembly demand cable management that meets the precision and aesthetic standards of cleanroom-adjacent industrial spaces. Metosu's Jotun-coated trays and trunking integrate seamlessly into these high-spec environments — RAL-matched architectural finishes, dense low-voltage routing, and the consistent quality next-generation manufacturers expect.

Full RAL Jotun finish · cleanroom integration



CLEAN ENERGY

Built for the energy transition.

Indonesia's energy transition is one of the largest renewable build-outs in Southeast Asia. From utility-scale solar farms to geothermal generation, every project depends on reliable cable infrastructure that handles outdoor exposure, fast deployment timelines, and balance-of-plant complexity. Metosu's stocked range and tropical-grade galvanising are sized for the speed and scale of clean energy delivery.

700+ SKUs · ready stock for fast renewables ramp-up



OFFSHORE & OIL & GAS

Marine-grade, mission-critical.

Offshore platforms, FPSOs, gas processing terminals — these are the most unforgiving environments in heavy industry. Salt air, hazardous-area zones, and multi-decade asset lifecycles demand cable management built to a different standard. Metosu specifies hot-dip galvanised as baseline, stainless-steel for the harshest applications, with full international load-class documentation supplied for every project.

Marine-grade HDG · stainless-steel options



COMMERCIAL & HOSPITALITY

Behind the guest experience.

Hotels, shopping centres, residential towers — buildings where cable management has to disappear behind the guest experience. Behind landmark lobbies, mall service corridors, and high-end residential mechanical floors, Metosu's Jotun powder-coated trunking and architectural-finish trays carry the power, data, and lighting infrastructure that keeps premium commercial spaces running. Made to specification, finished to the standard the brand demands.

40+ years · behind Indonesia's landmark builds

PART 06

FEATURED · DATA CENTRES

Built for
the data hall.

06 / DATA CENTRES

The backbone of Indonesia's hyperscale build-out.

Over the past decade, METOSU has become the cable-management supplier of choice for Indonesia's data centre industry. We hold a long-standing supply relationship with DCI Indonesia — the country's leading hyperscale colocation operator — spanning ten Tier III and Tier IV campuses: H1, H2, E1, H2-01, H2-02, JK1, JK2, JK3, JK5, JK6.

Our cable trays and ladders carry high-density power and fibre distribution across white-space corridors, cross-floor risers and back-of-house service zones. Every SKU in the catalogue is engineered for the loads, routing density and long-horizon reliability that data-hall and mission-critical environments demand.

WHY DATA CENTRE OPERATORS PICK METOSU

FACTOR	WHAT WE DELIVER
Load class match	1,340 kg/span Class 8C — the same load class specified by North American hyperscalers (NEMA VE 1-2017). Independently tested by Sucofindo.
Local lead time	Vertically integrated Tangerang facility holds 700+ standard SKUs in ready stock. Project-scale orders dispatched in days, not the weeks of import lead-times.
Architectural finish	In-house Jotun powder coating in any RAL colour for hyperscaler brand-matched white-space and lobby integration.
Single-source quality	One integrated quality system across cable management, lighting and accessories — one PO, one delivery, one team.
Documentation	Full load reports, material certificates and traceability supplied with every shipment for tender and as-built records.

07 / SELECTED PROJECTS

Where you'll find Metosu.

A representative selection across forty years of supply.

DATA CENTRES

DCI Indonesia H1, H2, E1, H2-01, H2-02, JK1, JK2, JK3, JK5, JK6 (ten campuses, Tier III & IV).

GOVERNMENT & INFRASTRUCTURE

Istana Negara (State Palace); Departemen Kehakiman; Departemen Keuangan; Bea Cukai Kemayoran; BIN Pejaten; Kantor Gubernur Maluku; Mabes ABRI; Mabes AURI Cilangkap; Malaysian Embassy.

HOSPITALS

Siloam Hospitals (Jambi, Gleneagles); Mayapada Hospital; Pondok Indah; Medistra; Mitra Kelapa Gading; Omni; Medika BSD; Eka Pekanbaru; Husada Balikpapan; RKZ Surabaya.

BANKS & TOWERS

Bank Indonesia; Bank Mandiri; BCA (twelve branches); BNI (Bandung, Banjarmasin, Palembang, UI Depok); Astra International; Plaza Mandiri; Menara Karya; Thamrin Nine; World Trade Center; Wisma 76; GKBI Tower; Garuda Operation Center.

HOTELS

Ritz-Carlton Pacific Place; Conrad Bali; Hilton Bali & Bandung; Sheraton Lagoon Bali; Marriott Medan; Shangri-La Surabaya; Mandarin Hotel; Majapahit; Ibis (Jakarta, Surabaya, Cikarang); Pakubuwono.

MALLS & RETAIL

Grand Indonesia; Plaza Indonesia; Plaza Senayan; Senayan City; Mall Kelapa Gading (I, II, III); Mall Taman Angrek; Sun Plaza Medan; ITC network (BSD, Depok, Mangga Dua, Roxy Mas, Surabaya).

UNIVERSITIES

Universitas Indonesia; UPH Karawaci & Semanggi; Trisakti; Tarumanagara; Jakarta International School; British School Jakarta; Sekolah Pelita Harapan; BPK Penabur; Bina Nusantara.

PART II

ENGINEERING REFERENCE

Every SKU.
Every fitting.
Every dimension.

PART 08

CABLE LADDER

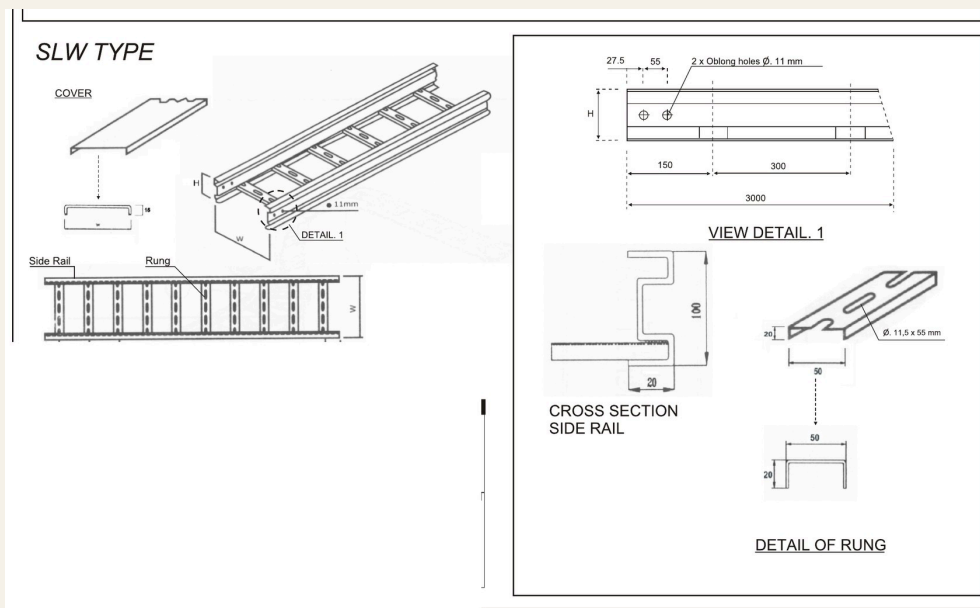
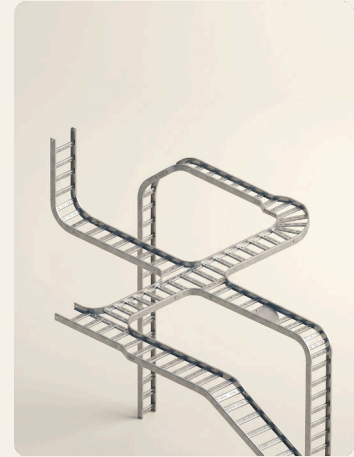
Cable Ladder.

08 / CABLE LADDER

Standard.

SLW (perforated) / SLU (non-perforated)

Load rating: 1,340 kg/span (Class 8C, NEMA VE 1-2017)



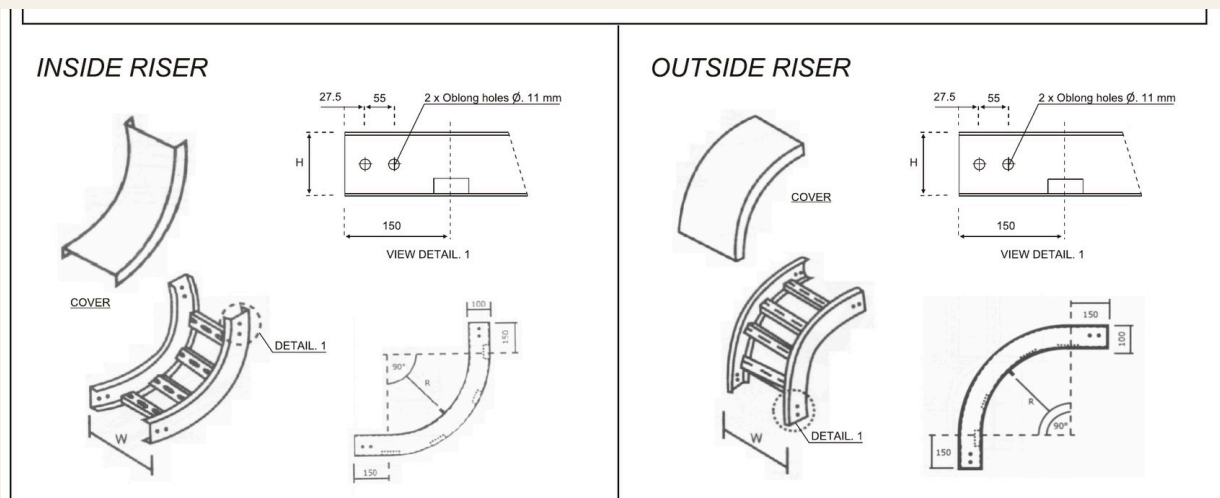
SLW TYPE · ENGINEERING DRAWING (perforated variant; non-perforated has identical geometry)

WIDTH (MM)	HEIGHT (MM)	LENGTH (MM)	SLW (PERFORATED)	SLU (NON-PERFORATED)
100	100	3,000	SLW 100/100	SLU 100/100
150	100	3,000	SLW 150/100	SLU 150/100
200	100	3,000	SLW 200/100	SLU 200/100
300	100	3,000	SLW 300/100	SLU 300/100
350	100	3,000	SLW 350/100	SLU 350/100
450	100	3,000	SLW 450/100	SLU 450/100
500	100	3,000	SLW 500/100	SLU 500/100
600	100	3,000	SLW 600/100	SLU 600/100
700	100	3,000	SLW 700/100	SLU 700/100
800	100	3,000	SLW 800/100	SLU 800/100
900	100	3,000	SLW 900/100	SLU 900/100
1000	100	3,000	SLW 1000/100	SLU 1000/100

08 / CABLE LADDER

Riser fittings.

Inside & outside risers for vertical-to-horizontal cable transitions.



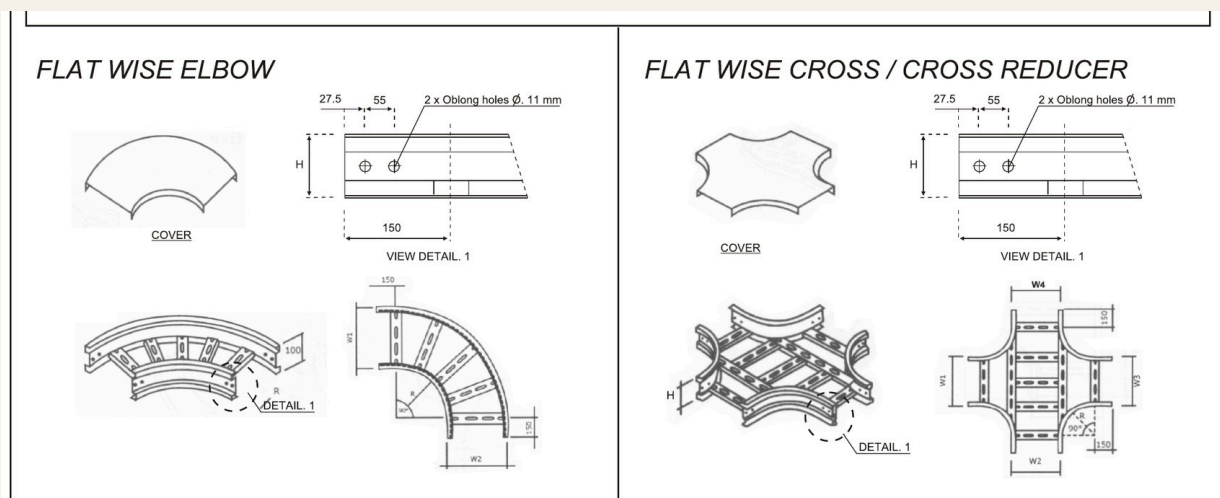
ENGINEERING DRAWING · GEOMETRY

INSIDE RISER				OUTSIDE RISER			
W	SLW (PERF)	SLU (NON-PERF)	H	W	SLW (PERF)	SLU (NON-PERF)	H
200	INR-SLW 200	INR-SLU 200	100	200	OUR-SLW 200	OUR-SLU 200	100
300	INR-SLW 300	INR-SLU 300	100	300	OUR-SLW 300	OUR-SLU 300	100
400	INR-SLW 400	INR-SLU 400	100	400	OUR-SLW 400	OUR-SLU 400	100
500	INR-SLW 500	INR-SLU 500	100	500	OUR-SLW 500	OUR-SLU 500	100
600	INR-SLW 600	INR-SLU 600	100	600	OUR-SLW 600	OUR-SLU 600	100
700	INR-SLW 700	INR-SLU 700	100	700	OUR-SLW 700	OUR-SLU 700	100
800	INR-SLW 800	INR-SLU 800	100	800	OUR-SLW 800	OUR-SLU 800	100
900	INR-SLW 900	INR-SLU 900	100	900	OUR-SLW 900	OUR-SLU 900	100
1000	INR-SLW 1000	INR-SLU 1000	100	1000	OUR-SLW 1000	OUR-SLU 1000	100
1200	INR-SLW 1200	INR-SLU 1200	100	1200	OUR-SLW 1200	OUR-SLU 1200	100
1300	INR-SLW 1300	INR-SLU 1300	100	1300	OUR-SLW 1300	OUR-SLU 1300	100
1500	INR-SLW 1500	INR-SLU 1500	100	1500	OUR-SLW 1500	OUR-SLU 1500	100

08 / CABLE LADDER

Flat-wise fittings.

Horizontal elbows and cross junctions for orthogonal routing.



ENGINEERING DRAWING · GEOMETRY

FLAT-WISE ELBOW

W	SLW (PERF)	SLU (NON-PERF)	H
200	FLE-SLW 200	FLE-SLU 200	100
300	FLE-SLW 300	FLE-SLU 300	100
400	FLE-SLW 400	FLE-SLU 400	100
500	FLE-SLW 500	FLE-SLU 500	100
600	FLE-SLW 600	FLE-SLU 600	100
700	FLE-SLW 700	FLE-SLU 700	100
800	FLE-SLW 800	FLE-SLU 800	100
900	FLE-SLW 900	FLE-SLU 900	100
1000	FLE-SLW 1000	FLE-SLU 1000	100
1200	FLE-SLW 1200	FLE-SLU 1200	100
1300	FLE-SLW 1300	FLE-SLU 1300	100
1500	FLE-SLW 1500	FLE-SLU 1500	100

FLAT-WISE CROSS

W	SLW (PERF)	SLU (NON-PERF)	H
200	FLC-SLW 200	FLC-SLU 200	100
300	FLC-SLW 300	FLC-SLU 300	100
400	FLC-SLW 400	FLC-SLU 400	100
500	FLC-SLW 500	FLC-SLU 500	100
600	FLC-SLW 600	FLC-SLU 600	100
700	FLC-SLW 700	FLC-SLU 700	100
800	FLC-SLW 800	FLC-SLU 800	100
900	FLC-SLW 900	FLC-SLU 900	100
1000	FLC-SLW 1000	FLC-SLU 1000	100
1200	FLC-SLW 1200	FLC-SLU 1200	100
1300	FLC-SLW 1300	FLC-SLU 1300	100
1500	FLC-SLW 1500	FLC-SLU 1500	100

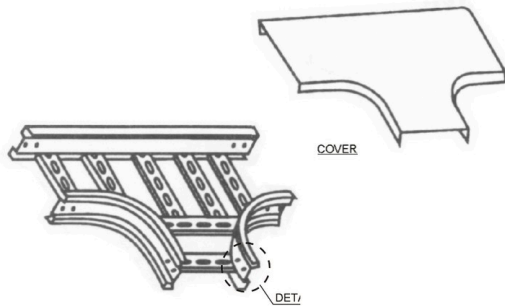
08 / CABLE LADDER

Equal Tee & Uniquel Tee.

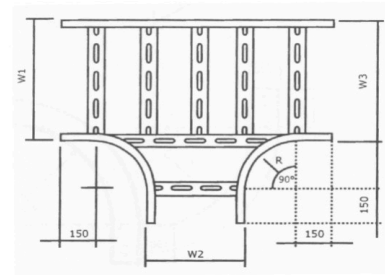
Three-way branch fittings for cable distribution off the main run.



EQUAL TEE / UNIQUAL TEE



27.5 55 2 x Oblong holes ϕ . 11 mm



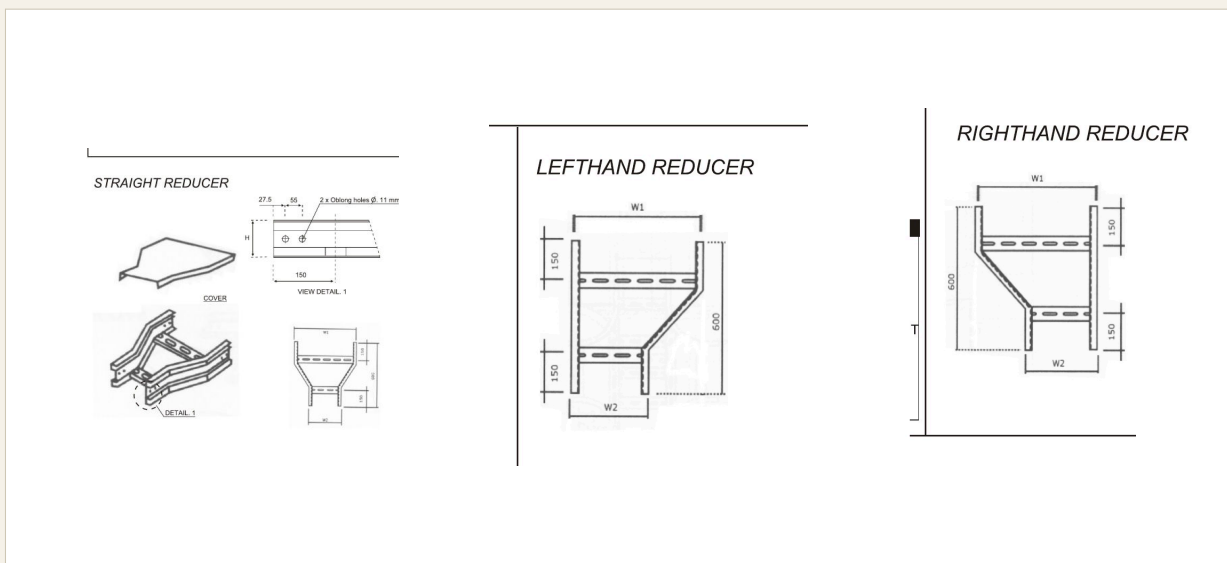
ENGINEERING DRAWING · GEOMETRY

W	SLW (PERF)	SLU (NON-PERF)	H
200	EQT-SLW 200	EQT-SLU 200	100
300	EQT-SLW 300	EQT-SLU 300	100
400	EQT-SLW 400	EQT-SLU 400	100
500	EQT-SLW 500	EQT-SLU 500	100
600	EQT-SLW 600	EQT-SLU 600	100
700	EQT-SLW 700	EQT-SLU 700	100
800	EQT-SLW 800	EQT-SLU 800	100
900	EQT-SLW 900	EQT-SLU 900	100
1000	EQT-SLW 1000	EQT-SLU 1000	100
1200	EQT-SLW 1200	EQT-SLU 1200	100
1300	EQT-SLW 1300	EQT-SLU 1300	100
1500	EQT-SLW 1500	EQT-SLU 1500	100

08 / CABLE LADDER

Reducers.

Straight, lefthand, and righthand reducers for width transitions.



STRAIGHT REDUCER

LEFTHAND REDUCER

RIGHTHAND REDUCER

W TRANSITION (MM)	STRAIGHT · SLW	LEFTHAND · SLW	RIGHTHAND · SLW
300 → 150	STR-SLW 300/150	LER-SLW 300/150	RIR-SLW 300/150
400 → 200	STR-SLW 400/200	LER-SLW 400/200	RIR-SLW 400/200
500 → 350	STR-SLW 500/350	LER-SLW 500/350	RIR-SLW 500/350
600 → 500	STR-SLW 600/500	LER-SLW 600/500	RIR-SLW 600/500
700 → 500	STR-SLW 700/500	LER-SLW 700/500	RIR-SLW 700/500
800 → 600	STR-SLW 800/600	LER-SLW 800/600	RIR-SLW 800/600
800 → 700	STR-SLW 800/700	LER-SLW 800/700	RIR-SLW 800/700
900 → 700	STR-SLW 900/700	LER-SLW 900/700	RIR-SLW 900/700
900 → 800	STR-SLW 900/800	LER-SLW 900/800	RIR-SLW 900/800
1000 → 800	STR-SLW 1000/800	LER-SLW 1000/800	RIR-SLW 1000/800
1500 → 1200	STR-SLW 1500/1200	LER-SLW 1500/1200	RIR-SLW 1500/1200

Substitute -SLU for -SLW in any part code for the non-perforated variant. All reducers 100 mm height.

08 / CABLE LADDER

Accessories.

Hangers, jointing sets, end plates, brackets, clamps, separators.

HANGER / OTHERS

HANGER BEAM

No.	TYPE	W2
1	H.B. 100	100
2	H.B. 200	200
3
4	H.B. 1300	1300
5	H.B. 1500	1500

HANGER ROAD

No.	TYPE	H
1	H.ROAD 100	100

JOINTING SET

No.	TYPE	H
1	JNT-SLW 100	100
2	JNT-SLU 100	100

END PLATE

No.	TYPE	W
1	EP 100	100
2	EP 200	200
3
4	EP 1300	1300
5	EP 1500	1500

CENTILEVER BRACKET

No.	TYPE	W
1	CB 100	100
2	CB 200	200
3
4	CB 1300	1300
5	CB 1500	1500

HOLD DOWN CLAMP

No.	TYPE	H
1	HDC 100	100

WALL MOUNTED COUPLING

No.	TYPE	H
1	WMC 100	100

STRAIGHT SPARATOR

No.	TYPE	H
1	SSP 100	100

ACCESSORIES · ENGINEERING DRAWINGS & DIMENSIONS

PART 09

CABLE TRAY

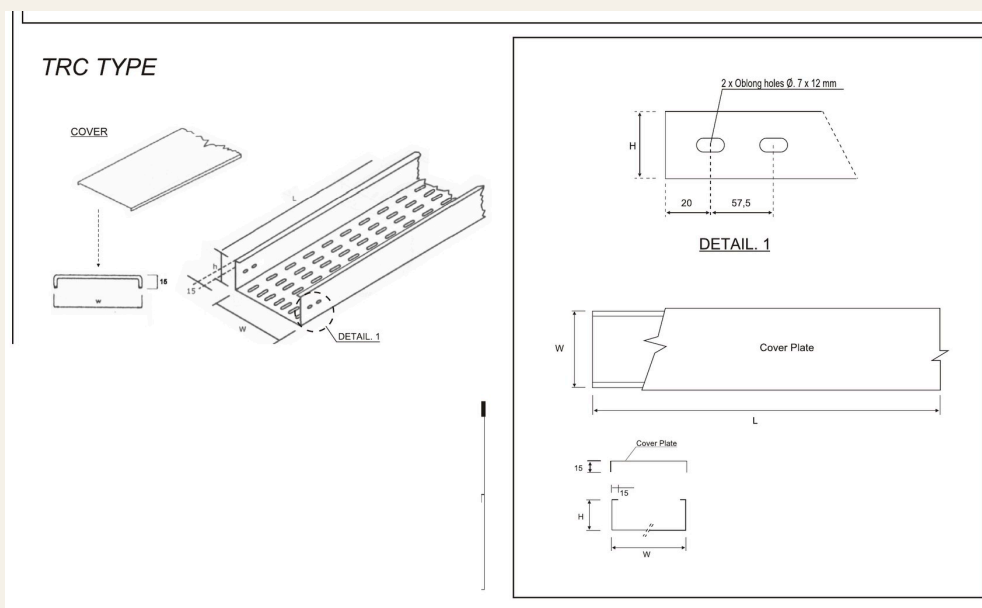
Cable Tray.

09 / CABLE TRAY

Standard.

TRC (perforated) / TRU (non-perforated)

Load rating: 420 kg/span (NEMA VE 1-2017 tested)



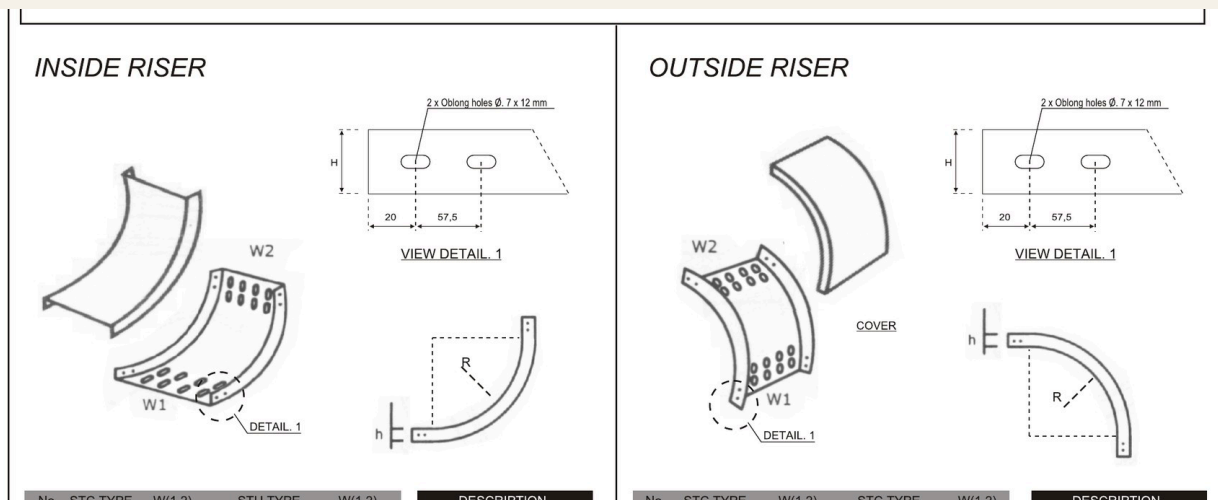
TRC TYPE · ENGINEERING DRAWING (perforated variant; non-perforated has identical geometry)

WIDTH (MM)	HEIGHT (MM)	LENGTH (MM)	TRC (PERFORATED)	TRU (NON-PERFORATED)
100	50	3,000	TRC 100/50	TRU 100/50
150	50	3,000	TRC 150/50	TRU 150/50
200	50	3,000	TRC 200/50	TRU 200/50
450	100	3,000	TRC 450/100	TRU 450/100
500	100	3,000	TRC 500/100	TRU 500/100
600	150	3,000	TRC 600/150	TRU 600/150
700	150	3,000	TRC 700/150	TRU 700/150
800	150	3,000	TRC 800/150	TRU 800/150
900	150	3,000	TRC 900/150	TRU 900/150
1000	150	3,000	TRC 1000/150	TRU 1000/150

09 / CABLE TRAY

Riser fittings.

Inside & outside risers for vertical-to-horizontal cable transitions.



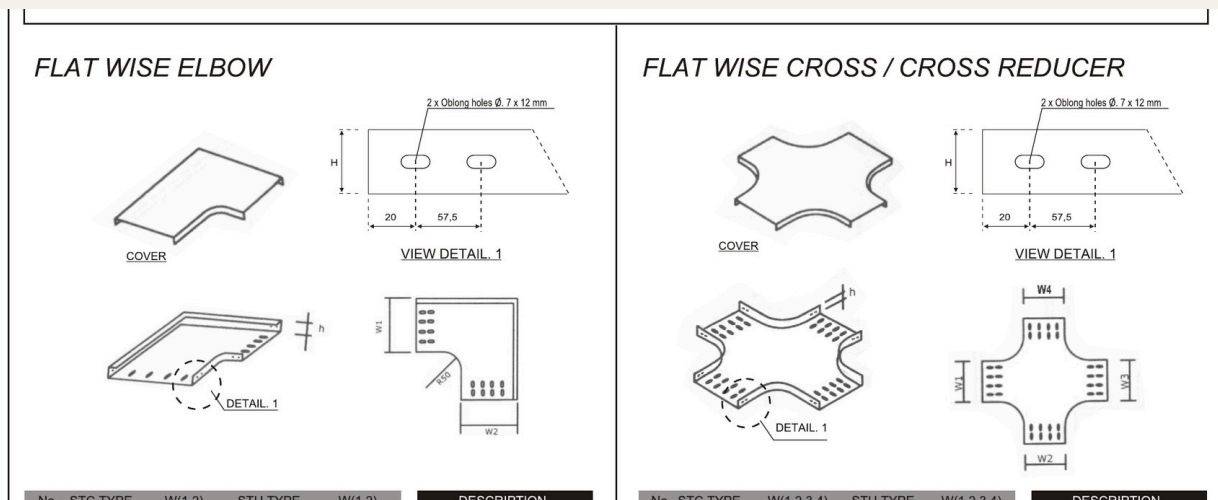
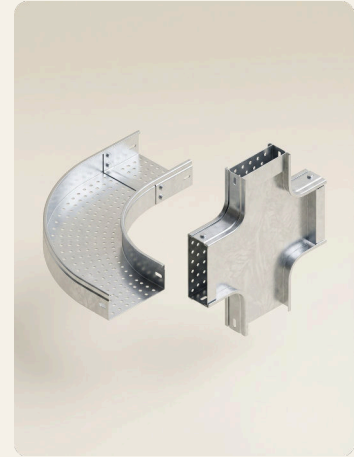
ENGINEERING DRAWING · GEOMETRY

INSIDE RISER				OUTSIDE RISER			
W	STC (PERF)	STU (NON-PERF)	H	W	STC (PERF)	STU (NON-PERF)	H
200	INR-STC 200	INR-STU 200	100	200	OUR-STC 200	OUR-STU 200	100
300	INR-STC 300	INR-STU 300	100	300	OUR-STC 300	OUR-STU 300	100
400	INR-STC 400	INR-STU 400	100	400	OUR-STC 400	OUR-STU 400	100
500	INR-STC 500	INR-STU 500	100	500	OUR-STC 500	OUR-STU 500	100
600	INR-STC 600	INR-STU 600	100	600	OUR-STC 600	OUR-STU 600	100
700	INR-STC 700	INR-STU 700	100	700	OUR-STC 700	OUR-STU 700	100
800	INR-STC 800	INR-STU 800	100	800	OUR-STC 800	OUR-STU 800	100
900	INR-STC 900	INR-STU 900	100	900	OUR-STC 900	OUR-STU 900	100
1000	INR-STC 1000	INR-STU 1000	100	1000	OUR-STC 1000	OUR-STU 1000	100
1200	INR-STC 1200	INR-STU 1200	100	1200	OUR-STC 1200	OUR-STU 1200	100
1300	INR-STC 1300	INR-STU 1300	100	1300	OUR-STC 1300	OUR-STU 1300	100
1500	INR-STC 1500	INR-STU 1500	100	1500	OUR-STC 1500	OUR-STU 1500	100

09 / CABLE TRAY

Flat-wise fittings.

Horizontal elbows and cross junctions for orthogonal routing.



ENGINEERING DRAWING · GEOMETRY

FLAT-WISE ELBOW

W	STC (PERF)	STU (NON-PERF)	H
200	FLE-STC 200	FLE-STU 200	100
300	FLE-STC 300	FLE-STU 300	100
400	FLE-STC 400	FLE-STU 400	100
500	FLE-STC 500	FLE-STU 500	100
600	FLE-STC 600	FLE-STU 600	100
700	FLE-STC 700	FLE-STU 700	100
800	FLE-STC 800	FLE-STU 800	100
900	FLE-STC 900	FLE-STU 900	100
1000	FLE-STC 1000	FLE-STU 1000	100
1200	FLE-STC 1200	FLE-STU 1200	100
1300	FLE-STC 1300	FLE-STU 1300	100
1500	FLE-STC 1500	FLE-STU 1500	100

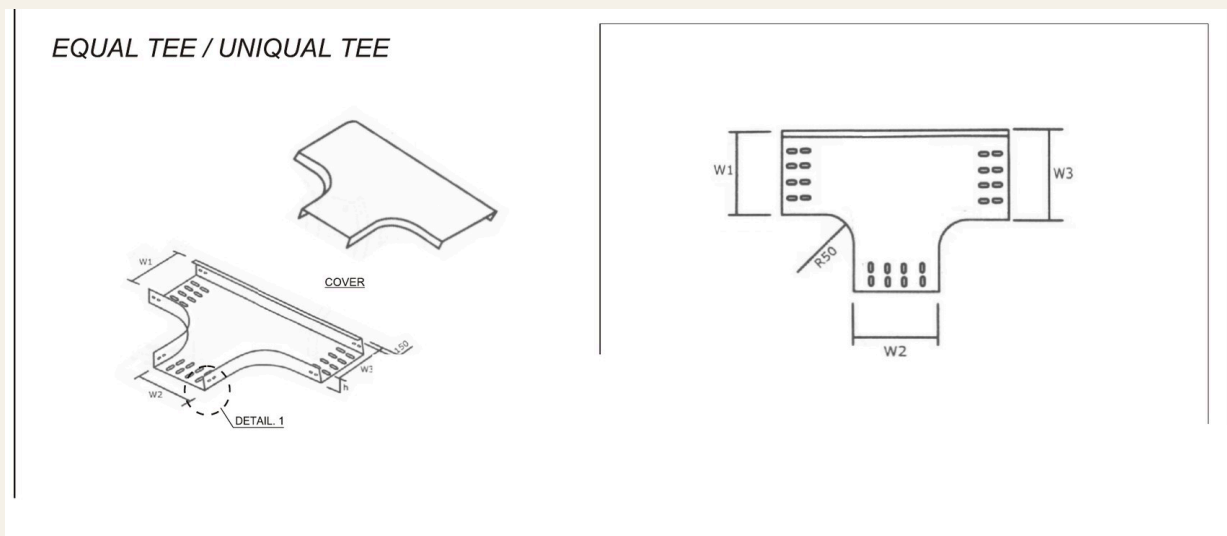
FLAT-WISE CROSS

W	STC (PERF)	STU (NON-PERF)	H
200	FLC-STC 200	FLC-STU 200	100
300	FLC-STC 300	FLC-STU 300	100
400	FLC-STC 400	FLC-STU 400	100
500	FLC-STC 500	FLC-STU 500	100
600	FLC-STC 600	FLC-STU 600	100
700	FLC-STC 700	FLC-STU 700	100
800	FLC-STC 800	FLC-STU 800	100
900	FLC-STC 900	FLC-STU 900	100
1000	FLC-STC 1000	FLC-STU 1000	100
1200	FLC-STC 1200	FLC-STU 1200	100
1300	FLC-STC 1300	FLC-STU 1300	100
1500	FLC-STC 1500	FLC-STU 1500	100

09 / CABLE TRAY

Equal Tee & Uniquel Tee.

Three-way branch fittings for cable distribution off the main run.



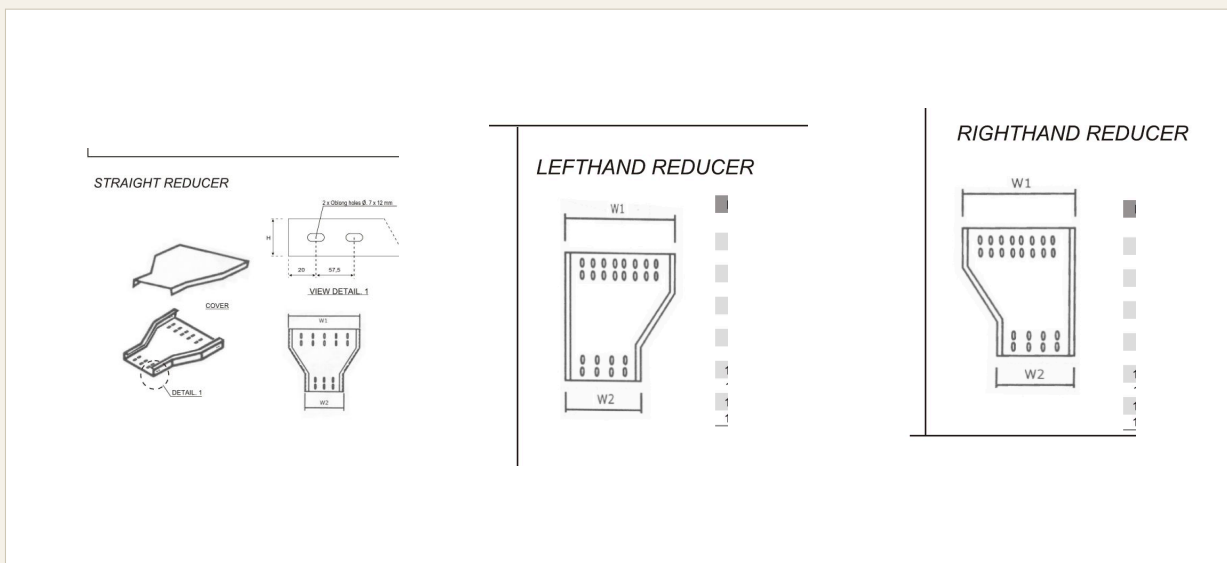
ENGINEERING DRAWING · GEOMETRY

W	STC (PERF)	STU (NON-PERF)	H
200	EQT-STC 200	EQT-STU 200	100
300	EQT-STC 300	EQT-STU 300	100
400	EQT-STC 400	EQT-STU 400	100
500	EQT-STC 500	EQT-STU 500	100
600	EQT-STC 600	EQT-STU 600	100
700	EQT-STC 700	EQT-STU 700	100
800	EQT-STC 800	EQT-STU 800	100
900	EQT-STC 900	EQT-STU 900	100
1000	EQT-STC 1000	EQT-STU 1000	100
1200	EQT-STC 1200	EQT-STU 1200	100
1300	EQT-STC 1300	EQT-STU 1300	100
1500	EQT-STC 1500	EQT-STU 1500	100

09 / CABLE TRAY

Reducers.

Straight, lefthand, and righthand reducers for width transitions.



STRAIGHT REDUCER

LEFTHAND REDUCER

RIGHTHAND REDUCER

W TRANSITION (MM)	STRAIGHT · STC	LEFTHAND · STC	RIGHTHAND · STC
300 → 150	STR-STC 300/150	LER-STC 300/150	RIR-STC 300/150
400 → 200	STR-STC 400/200	LER-STC 400/200	RIR-STC 400/200
500 → 350	STR-STC 500/350	LER-STC 500/350	RIR-STC 500/350
600 → 500	STR-STC 600/500	LER-STC 600/500	RIR-STC 600/500
700 → 500	STR-STC 700/500	LER-STC 700/500	RIR-STC 700/500
800 → 600	STR-STC 800/600	LER-STC 800/600	RIR-STC 800/600
800 → 700	STR-STC 800/700	LER-STC 800/700	RIR-STC 800/700
900 → 700	STR-STC 900/700	LER-STC 900/700	RIR-STC 900/700
900 → 800	STR-STC 900/800	LER-STC 900/800	RIR-STC 900/800
1000 → 800	STR-STC 1000/800	LER-STC 1000/800	RIR-STC 1000/800
1500 → 1200	STR-STC 1500/1200	LER-STC 1500/1200	RIR-STC 1500/1200

Substitute -STU for -STC in any part code for the non-perforated variant. All reducers 100 mm height.

PART 10

CABLE TRUNKING

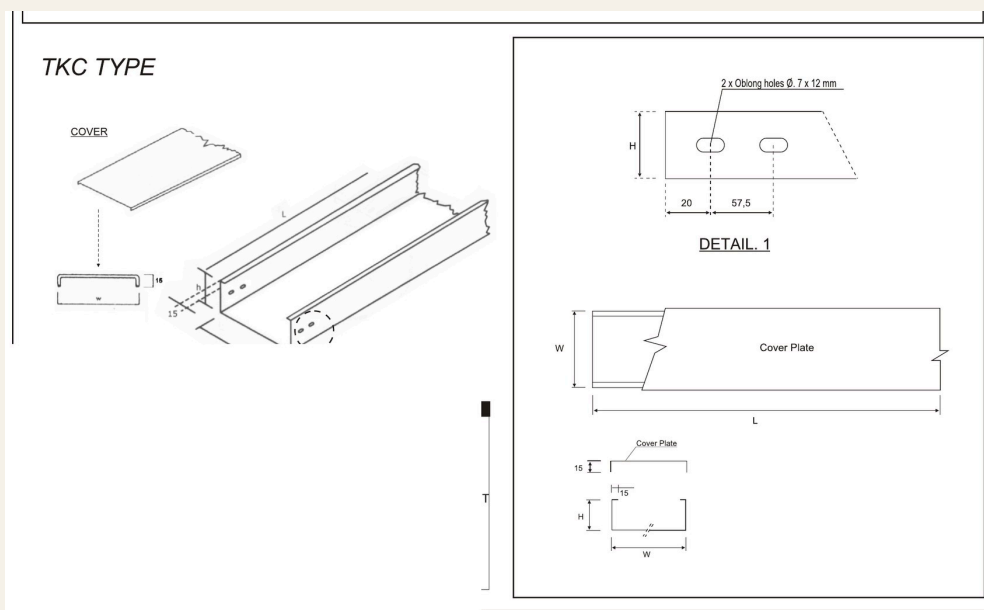
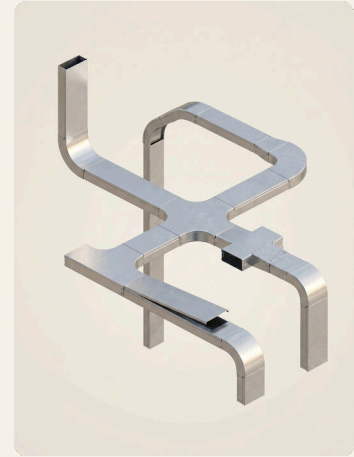
Cable Trunking.

10 / CABLE TRUNKING

Standard.

TKC (perforated) / TKU (non-perforated)

Load rating: Enclosed routing, full cover plate



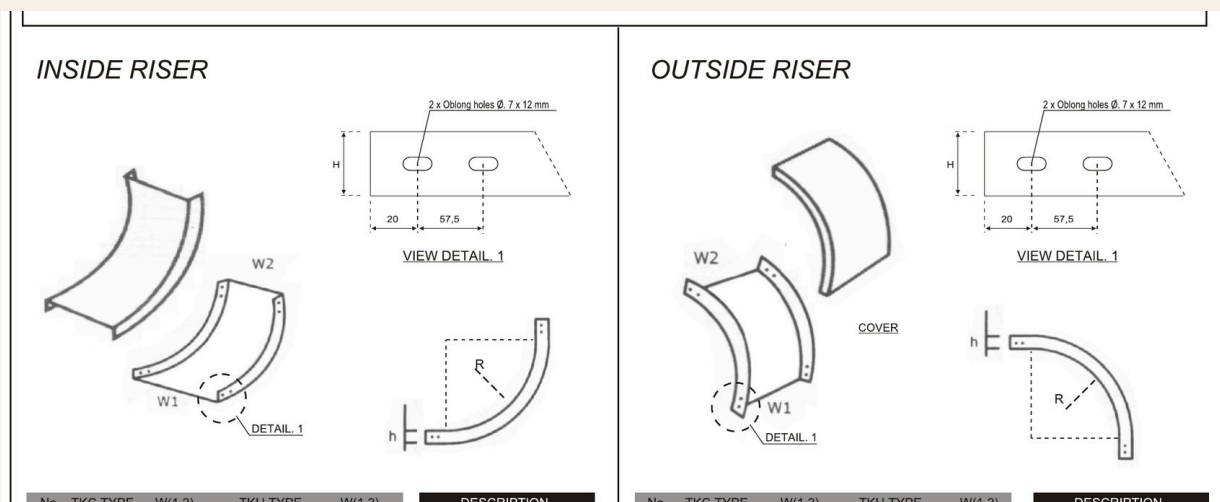
TKC TYPE · ENGINEERING DRAWING (perforated variant; non-perforated has identical geometry)

WIDTH (MM)	HEIGHT (MM)	LENGTH (MM)	TKC (PERFORATED)	TKU (NON-PERFORATED)
100	50	3,000	TKC 100/50	TKU 100/50
150	50	3,000	TKC 150/50	TKU 150/50
200	50	3,000	TKC 200/50	TKU 200/50
450	100	3,000	TKC 450/100	TKU 450/100
500	100	3,000	TKC 500/100	TKU 500/100
600	150	3,000	TKC 600/150	TKU 600/150
700	150	3,000	TKC 700/150	TKU 700/150
800	150	3,000	TKC 800/150	TKU 800/150
900	150	3,000	TKC 900/150	TKU 900/150
1000	150	3,000	TKC 1000/150	TKU 1000/150

10 / CABLE TRUNKING

Riser fittings.

Inside & outside risers for vertical-to-horizontal cable transitions.



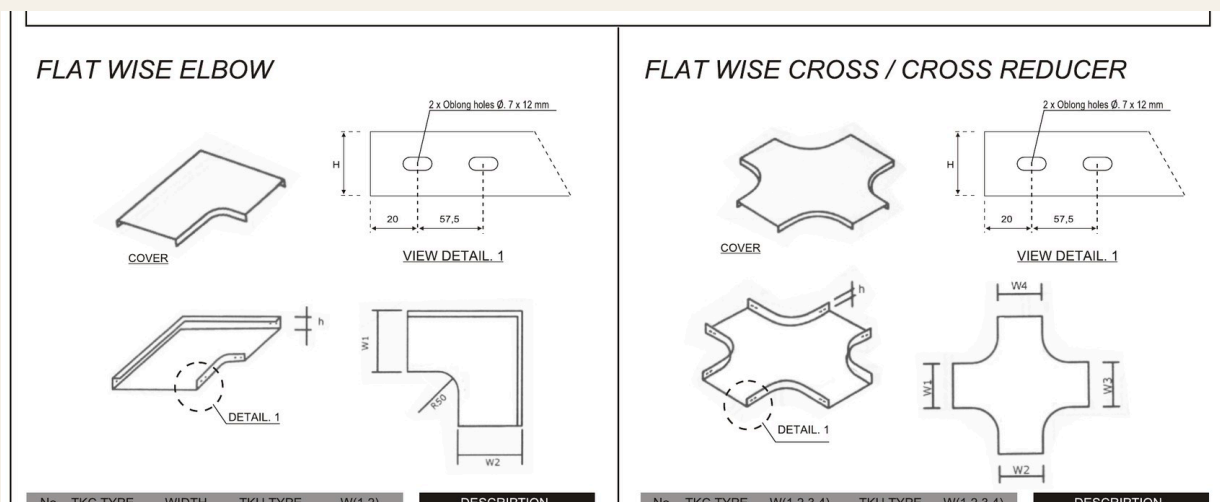
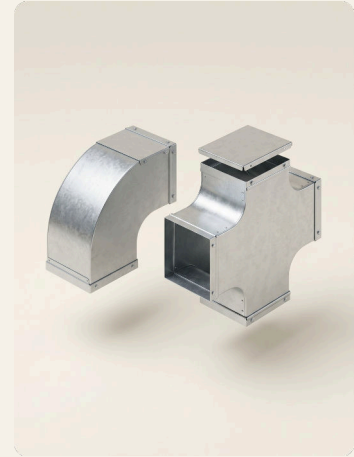
ENGINEERING DRAWING · GEOMETRY

INSIDE RISER				OUTSIDE RISER			
W	TKC (PERF)	TKU (NON-PERF)	H	W	TKC (PERF)	TKU (NON-PERF)	H
200	INR-TKC 200	INR-TKU 200	100	200	OUR-TKC 200	OUR-TKU 200	100
300	INR-TKC 300	INR-TKU 300	100	300	OUR-TKC 300	OUR-TKU 300	100
400	INR-TKC 400	INR-TKU 400	100	400	OUR-TKC 400	OUR-TKU 400	100
500	INR-TKC 500	INR-TKU 500	100	500	OUR-TKC 500	OUR-TKU 500	100
600	INR-TKC 600	INR-TKU 600	100	600	OUR-TKC 600	OUR-TKU 600	100
700	INR-TKC 700	INR-TKU 700	100	700	OUR-TKC 700	OUR-TKU 700	100
800	INR-TKC 800	INR-TKU 800	100	800	OUR-TKC 800	OUR-TKU 800	100
900	INR-TKC 900	INR-TKU 900	100	900	OUR-TKC 900	OUR-TKU 900	100
1000	INR-TKC 1000	INR-TKU 1000	100	1000	OUR-TKC 1000	OUR-TKU 1000	100
1200	INR-TKC 1200	INR-TKU 1200	100	1200	OUR-TKC 1200	OUR-TKU 1200	100
1300	INR-TKC 1300	INR-TKU 1300	100	1300	OUR-TKC 1300	OUR-TKU 1300	100
1500	INR-TKC 1500	INR-TKU 1500	100	1500	OUR-TKC 1500	OUR-TKU 1500	100

10 / CABLE TRUNKING

Flat-wise fittings.

Horizontal elbows and cross junctions for orthogonal routing.



ENGINEERING DRAWING · GEOMETRY

FLAT-WISE ELBOW

W	TKC (PERF)	TKU (NON-PERF)	H
200	FLE-TKC 200	FLE-TKU 200	100
300	FLE-TKC 300	FLE-TKU 300	100
400	FLE-TKC 400	FLE-TKU 400	100
500	FLE-TKC 500	FLE-TKU 500	100
600	FLE-TKC 600	FLE-TKU 600	100
700	FLE-TKC 700	FLE-TKU 700	100
800	FLE-TKC 800	FLE-TKU 800	100
900	FLE-TKC 900	FLE-TKU 900	100
1000	FLE-TKC 1000	FLE-TKU 1000	100
1200	FLE-TKC 1200	FLE-TKU 1200	100
1300	FLE-TKC 1300	FLE-TKU 1300	100
1500	FLE-TKC 1500	FLE-TKU 1500	100

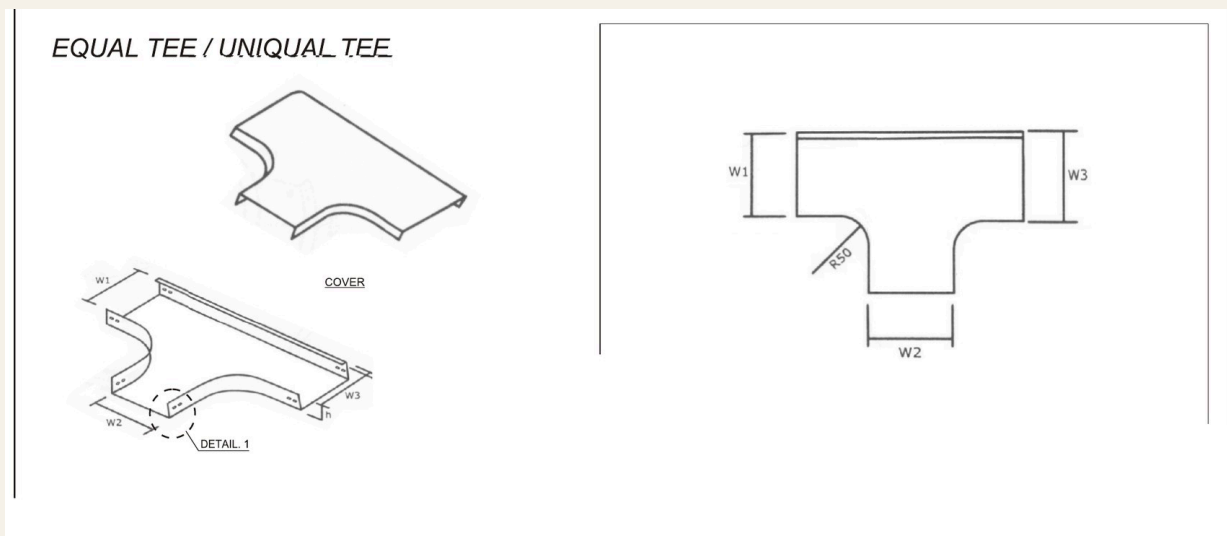
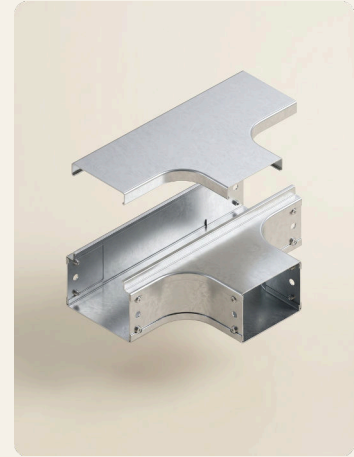
FLAT-WISE CROSS

W	TKC (PERF)	TKU (NON-PERF)	H
200	FLC-TKC 200	FLC-TKU 200	100
300	FLC-TKC 300	FLC-TKU 300	100
400	FLC-TKC 400	FLC-TKU 400	100
500	FLC-TKC 500	FLC-TKU 500	100
600	FLC-TKC 600	FLC-TKU 600	100
700	FLC-TKC 700	FLC-TKU 700	100
800	FLC-TKC 800	FLC-TKU 800	100
900	FLC-TKC 900	FLC-TKU 900	100
1000	FLC-TKC 1000	FLC-TKU 1000	100
1200	FLC-TKC 1200	FLC-TKU 1200	100
1300	FLC-TKC 1300	FLC-TKU 1300	100
1500	FLC-TKC 1500	FLC-TKU 1500	100

10 / CABLE TRUNKING

Equal Tee & Uniquel Tee.

Three-way branch fittings for cable distribution off the main run.



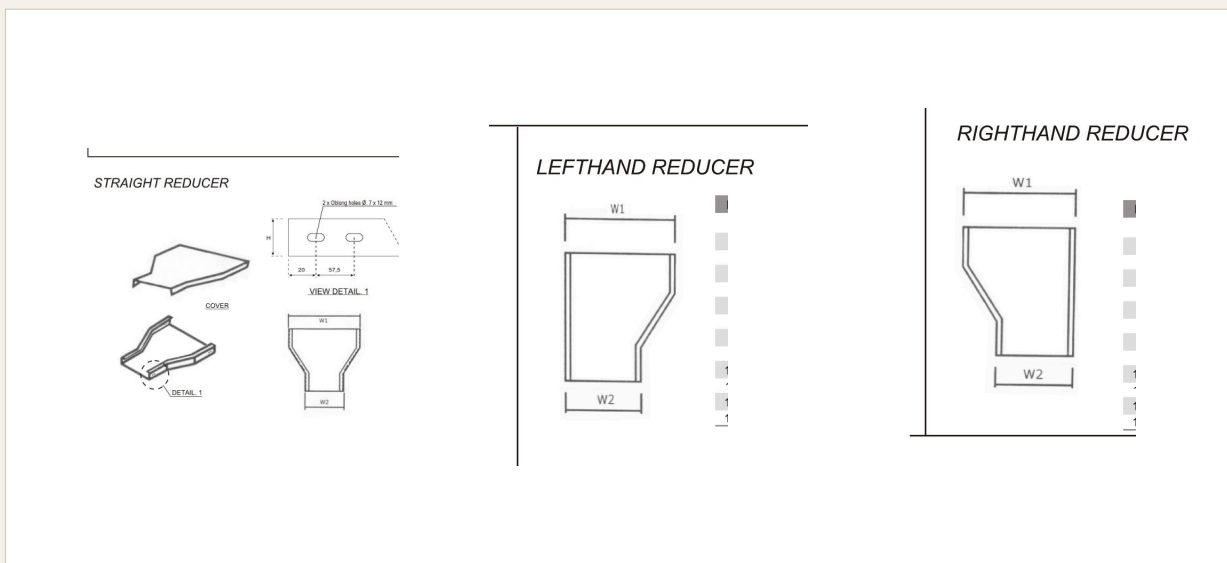
ENGINEERING DRAWING · GEOMETRY

W	TKC (PERF)	TKU (NON-PERF)	H
200	EQT-TKC 200	EQT-TKU 200	100
300	EQT-TKC 300	EQT-TKU 300	100
400	EQT-TKC 400	EQT-TKU 400	100
500	EQT-TKC 500	EQT-TKU 500	100
600	EQT-TKC 600	EQT-TKU 600	100
700	EQT-TKC 700	EQT-TKU 700	100
800	EQT-TKC 800	EQT-TKU 800	100
900	EQT-TKC 900	EQT-TKU 900	100
1000	EQT-TKC 1000	EQT-TKU 1000	100
1200	EQT-TKC 1200	EQT-TKU 1200	100
1300	EQT-TKC 1300	EQT-TKU 1300	100
1500	EQT-TKC 1500	EQT-TKU 1500	100

10 / CABLE TRUNKING

Reducers.

Straight, lefthand, and righthand reducers for width transitions.



STRAIGHT REDUCER

LEFTHAND REDUCER

RIGHTHAND REDUCER

W TRANSITION (MM)	STRAIGHT · TKC	LEFTHAND · TKC	RIGHTHAND · TKC
300 → 150	STR-TKC 300/150	LER-TKC 300/150	RIR-TKC 300/150
400 → 200	STR-TKC 400/200	LER-TKC 400/200	RIR-TKC 400/200
500 → 350	STR-TKC 500/350	LER-TKC 500/350	RIR-TKC 500/350
600 → 500	STR-TKC 600/500	LER-TKC 600/500	RIR-TKC 600/500
700 → 500	STR-TKC 700/500	LER-TKC 700/500	RIR-TKC 700/500
800 → 600	STR-TKC 800/600	LER-TKC 800/600	RIR-TKC 800/600
800 → 700	STR-TKC 800/700	LER-TKC 800/700	RIR-TKC 800/700
900 → 700	STR-TKC 900/700	LER-TKC 900/700	RIR-TKC 900/700
900 → 800	STR-TKC 900/800	LER-TKC 900/800	RIR-TKC 900/800
1000 → 800	STR-TKC 1000/800	LER-TKC 1000/800	RIR-TKC 1000/800
1500 → 1200	STR-TKC 1500/1200	LER-TKC 1500/1200	RIR-TKC 1500/1200

Substitute -TKU for -TKC in any part code for the non-perforated variant. All reducers 100 mm height.

10 / CABLE TRUNKING

Accessories.

Hangers, jointing sets, end plates, brackets, clamps, separators.

HANGER / OTHERS

HANGER BEAM

No.	TYPE	W2
1	H.B. 100	100
2	H.B. 200	200
3
4	H.B. 1300	1300
5	H.B. 1500	1500

HANGER ROAD

No.	TYPE	H
1	H.ROAD 100	100

HOLD DOWN CLAMP

No.	TYPE	H
1	HDC 50	50
2	HDC 75	75
3	HDC 100	100
4	HDC 150	150

WALL MOUNTED COUPLING

No.	TYPE	H
1	WMC 50	50
2	WMC 75	75
3	WMC 100	100
4	WMC 150	150

STRAIGHT SPARATOR

No.	TYPE	H
1	SSP 50	50
2	SSP 75	75
3	SSP 100	100
4	SSP 150	150

JOINTING SET

No.	TYPE	H
1	JNT-TR 50	50
2	JNT-TR 75	75
3	JNT-TR 100	100
4	JNT-TR 150	150

END PLATE

No.	TYPE	W	H
1	EP 100	100	50
2	EP 200	200	75
3	100
4	EP 1300	1300	150
5	EP 1500	1500	150

CENTILEVER BRACKET

No.	TYPE	W
1	CB 100	100
2	CB 200	200
3
4	CB 1300	1300
5	CB 1500	1500

ACCESSORIES · ENGINEERING DRAWINGS & DIMENSIONS

GET IN TOUCH

Let's talk about your project.

Send us a scope, a drawing, or a tender document and our technical team will revert with product recommendations, indicative pricing and a proposed delivery window. Formal quotations are returned against confirmed specification, typically within days.

HEAD OFFICE

PT Metalindo Tosan Surya
Jl. Raya Daan Mogot No. 200
Kedoya Utara, Kebon Jeruk
Jakarta Barat 11520, Indonesia

MANUFACTURING

Jatake Industrial Estate
Jl. Industri II Block C No 1
Tangerang
Banten 15138, Indonesia

ENQUIRIES

marketing@metosu.com

WHATSAPP

+62 816 689 689

CHANNELS

Telephone +62 21 566 5190 / 91

Web www.metosu.com

This catalogue is issued by PT Metalindo Tosan Surya for the information of prospective clients, consultants and partners. Engineering line drawings are reproduced from the canonical Metosu Tray Catalogue. 3D product renders are produced for editorial purposes from those reference drawings. Project-specific specifications are confirmed at quotation stage. All content is the property of PT Metalindo Tosan Surya. Edition MMXXVI.